

F1-110

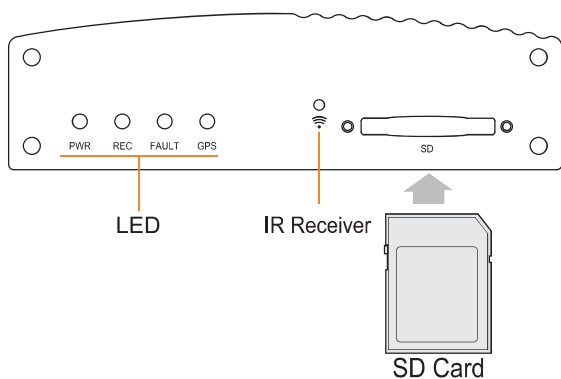
2CH Ruggedized Car DVR

Dimension: 120(W)x78(L)x30(H) mm
 Both Channels Support D1 Resolution
 GPS Built-in (optional) with Google Map Support
 Standby/ Wakeup Mode for Parking Surveillance
 Built in Shock-Sensor [3-axis]
 Flexible Frame Rate Setting Between Channels: Max. 30/10 fps (NTSC), 25/8 fps (PAL)

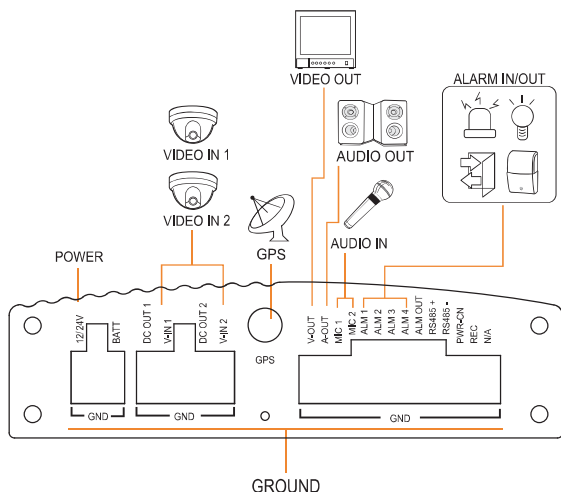


— CONFIGURATION

FRONT VIEW



REAR VIEW



VIDEO/ RECORDING	
Compression Format	H.264
Input Channel	2 Channel
Recording Resolution	4CIF(NTSC:704X480, PAL:704X576) CIF(NTSC:352X240, PAL:352X288)
Recording Quality(highest)	4CIF:1700Kbps, CIF:1700Kbps
Recording Frame Rate	PAL: 25/ 8, 12/ 12, 8/ 8, 1/1 fps NTSC: 30/10, 15/15, 10/10, 1/1 fps
Recording Mode	Continuous/ Emergency/ Schedule Alarm/ Shock-Sensor
Operating Mode	Live/ Playback/ Menu/ Search/ Record
Storage	Support SD, SDHC (2~32GB, More than Class4)
Storage File System	FAT16, FAT32
Split Screen	PIP(QCIF/ CIF)
AUDIO	
Compression Format	16bit PCM, 8KHz
Input/ Output	2CH. Mono/ 1CH. Mono
ALARM	
Input/ Output	4 / 1
Others	
RS485	PELCO-D, PELCO-P Support
Operating Temperature	-20 ~ +60 °C
Input Voltage Range	10 ~ 18VDC
Power consumption	Approx. 300mA@12VDC
Camera Power Output	Input Power Bypass



OSD MENU



PLAYER (PC VIEWER)