

SVG-3110/3111 (* SVG-3111: Wireless)

1 Channel Network Video Server

High performance Superb image quality

Measuring only 120 x 28 x 115mm, SVG VIDEO SERVER series offers a powerful set of features including alarm management, event recording, motion detection and remote setup and control. They come equipped with sophisticated firmware and software which make it easier to upgrade.

The Intelligent Network Video Server provides advanced solutions for viewing, recording and retrieving video over computer networks, including the Internet. The Video Server compresses Video, and then transmits the compressed video over computer networks at speeds up to 30 fps. Additionally, the Video Server provides audio and alarm information from the remote site.

The Video Server has one audio input and one alarm input. The user can listen to the remote site with the audio input. All of the Video Server features are accessible through the Video Server browser, allowing users to access and control their systems anytime from virtually anywhere.

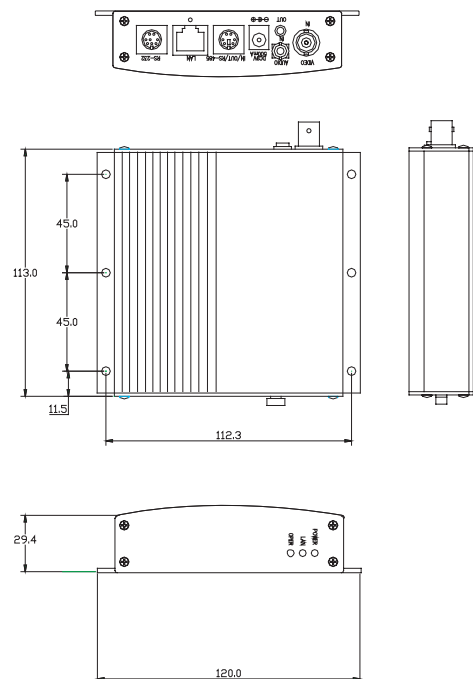


Model: SVG- 3110

Features

- **D1 (704 X 480) at 30 fps**
- **Monitor live video transmitted in real-time**
 - Remote monitoring up to 120 fps live video
 - Real MPEG-4
 - Low network bandwidth requirement
- **Simultaneous video and audio signal transmission**
 - Bi-directional Audio
 - Monitoring voices and background sounds over a single connection
- **Built-in Web Server and Network Interface**
- **No PC Needed for Operation - Standalone Unit**
- **Linux Based Operating System**
- **Embedded Motion Detection function**
 - SVG-3110 has an embedded sensor system that detects movements. The observing areas of motion and sensitivity can be regulated according to the user's need.
- **Supports network environments**
 - Ethernet or Fast Ethernet interface
- **Easy Firmware Update through Network**
 - Firmware Update at remote sites is possible through Network
- **E-mail and FTP transmission**
 - SVG-3110 sends images to the designated E-mail address or FTP Server when an alarm is raised or movements are detected.
- **Digital sensor TTL input**
- **Alarm output**
- **RS485 interface for Pan, Tilt and Zoom control**
 - Functions can be set remotely using an exclusive application

Dimension

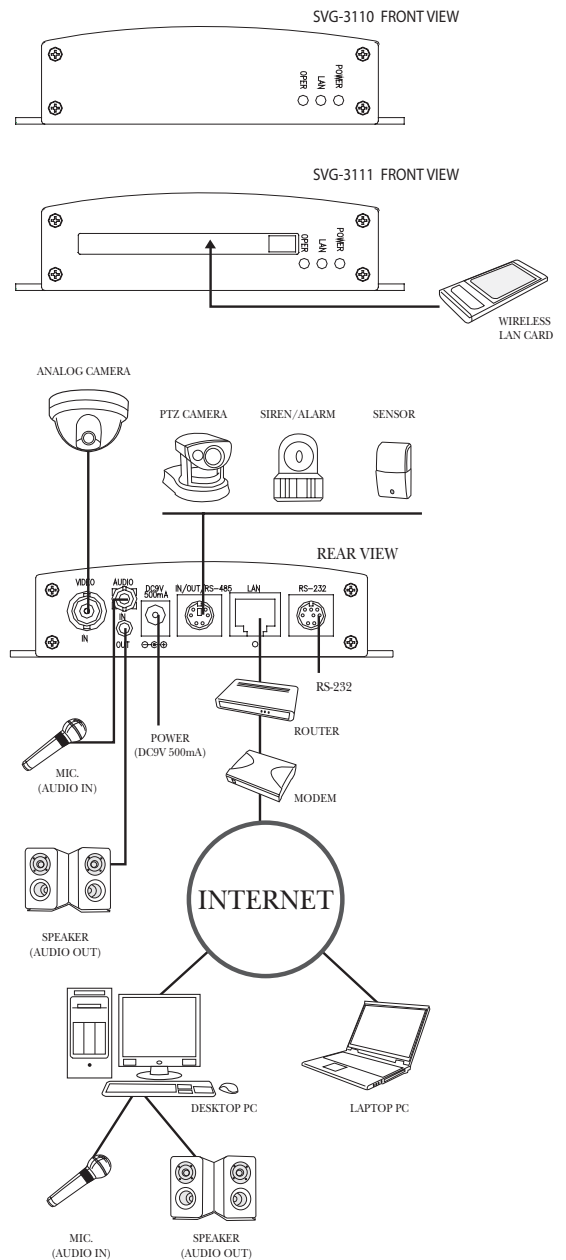


SVG-3110 1Channel Network Video Server

Specification

Video	Input format : NTSC/PAL Selectable(Auto Sensing at Booting), Composite Compression data rate 500Kbps to 2Mbps/MPEG4 Compression Standard : Real MPEG4 Resolutions : Max. D1(704X480) Support
Audio	Input 1channel MONO, External MIC support Output: 1channel MONO, Audio out Compression method: G.711 PCM 64Kbps Bi-direction (Full duplex, 1ch, MONO) A/V Synchronization
Viewer	Monitoring and Recording Video & Audio Recording, Play, Pause, Fast Forward / Backward Image Print Snap Shot Audio Transmission via Ethernet Configuration Setup Time / Date / Title Display
Management	WEB Based Tool : Internet Explorer 6.x and Above Real Time Viewer Support WEB Viewer Recording at Client PC Event Recording : PRE & POST Recording (Pre Event Storage Time – Max. 30 SEC @ 2 Mbps) (Post Event Storage Time –Max. 120 SEC @ 2 Mbps) Scheduled Recording Multi Channel View Support Remote Update Firmware via Network Time Search /Event Search /Recording during Search Time
I/O	Network: 10Mbps and 100Mbps standard (10/100Base -T), Female RJ -45 Wireless LAN (802.11b & 802.11g -option) Analog Video Input: 1Vp-p, BNC Digital I/O: 2Ports(1 Input port/ 1 TTL port)
System Requirements	CPU : Pentium III 800Mhz or faster RAM : 512MB or higher VGA: AGP Video RAM 64MB or higher Direct-X : 8.0 or higher WEB Browser : Internet Explorer 6.0 or higher OS : Windows 2000 or higher
Power	Input: DC 9V / 500mA Power Consumption: Max. 3.6W
Dimension	Dimension: 120(W)mmX30(H)mmX114(D)mm
Weight	Weight: 330g
Operating Environment	Operating Temperature : 0~50°C(32~122°F) Humidity : 20~80% RHG, Non - Condensing
Approval	EMC : FCC Class B CE Class B
Package Contents	1Channel Video Server Power Adapter : 9V DC, 500m Amp User Manual Connector for RS-485 PTZ Control Connector for RS-232 Modem Program Installation CD LAN Cable (Crossover)

Configuration



Software



Multi Viewer@PC
: View& Record 16 Cameras

* All trademarks are property of owners and Specifications are subject to change without a prior notice

seorim digital
technology

Seorim Technology Co., Ltd
#1001, daerung technotown vi, 493-6, gasan-dong, kumchun, seoul, korea, 153-803
Tel: +82-2-2108-5860
Fax: +82-2-2108-5869
E-mail: sales@seorimtech.com

www.seorimtech.com