

SVG-3410

4 Channel Network Video Server

Secure more freedom and flexibility
SVG video server series makes your dream of
Real time Monitoring come true.

SVG-3410 is a highly sophisticated network video server with the embedded Linux operating system. The equipment is capable of receiving analog video and audio input from four channels. Measuring only 120 x 28 x 115mm, SVG-3410 offers a powerful set of features including alarm management, event handling, motion detection and remote setup and control. They come equipped with sophisticated firmware and software which make it easier to upgrade. SVG-3410 uses a high-performance 34bit CPU. The optimal algorithm is used for compressing and sending video files. Also, the standard Ethernet network sends video real time. SVG-3410 is highly safe and convenient for use.

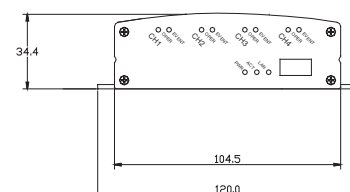
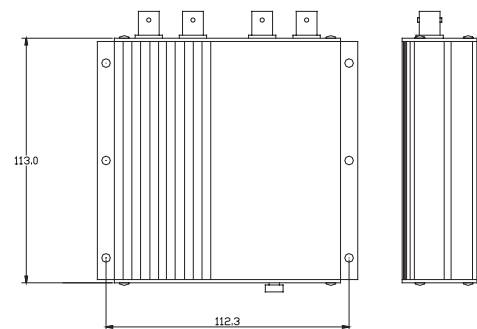
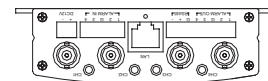


Model: SVG 3410

Features

- **SIF (352 X 288) at 120 fps / 4ch**
- **Monitor live video transmitted in real-time**
 - Remote monitoring up to 120 fps live video
 - Real MPEG-4
 - Low network bandwidth requirement
- **Simultaneous video and audio signal transmission**
 - Bi-directional Audio
 - Monitoring voices and background sounds over a single connection
- **Built-in Web Server and Network Interface**
- **No PC Needed for Operation - Standalone Unit**
- **Linux Based Operating System**
- **Embedded Motion Detection function**
 - SVG-3410 has an embedded sensor system that detects movements. The observing areas of motion and sensitivity can be regulated according to the user's need.
- **Supports network environments**
 - Ethernet or Fast Ethernet interface
- **Easy Firmware Update through Network**
 - Firmware Update at remote sites is possible through Network
- **E-mail and FTP transmission**
 - SVG-3410 sends images to the designated E-mail address or FTP Server when an alarm is raised or movements are detected.
- **Digital sensor TTL input**
- **Alarm output**
- **RS485 interface for Pan, Tilt and Zoom control**
 - Functions can be set remotely using an exclusive application

Dimension

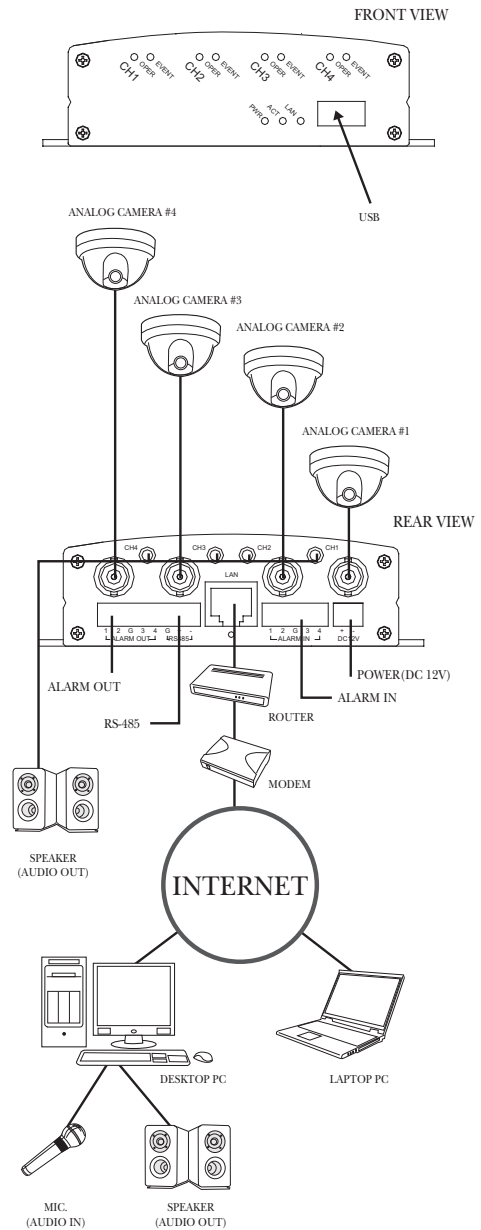


SVG-3410 4 Channel Network Video Server

Specification

Video	Input Format : NTSC / PAL Selectable (Auto Sensing at Booting) , Composite Compression Data Rates : 256 Kbps to 1.5Mbps / MPEG4 Compression Standard : Real MPEG 4 Resolutions : Max. SIF (352 X 288) Support
Audio	Input : 4channel MONO, External MIC support Output:4channel MONO, Audio out Compression method : G.711 PCM 64Kbps Bi-direction (Full duplex, 1ch, MONO) A/V Synchronization
Viewer	Monitoring and Recording Video & Audio Recording, Play, Pause, Fast Forward / Backward Image Print / Snap Shot Audio Transmission via Ethernet Configuration Setup Time / Date / Title Display
Management	WEB Based Tool : Internet Explorer 6.x and Above Real Time Viewer Support WEB Viewer Recording at Client PC Event Recording : PRE & POST Recording (Pre Event Storage Time – Max. 30 SEC @ 1.5 Mbps) (Post Event Storage Time – Max. 120 SEC @ 1.5 Mbps) Scheduled Recording Multi Channel View Support Remote Update Firmware via Network Time Search /Event Search /Recording during Search Time
I/O	Network : 10Mbps and 100Mbps standard (10/100Base - T), Female RJ-45 Wireless LAN (802.11b & 802.11g -option) Analog Video Input : 1 Vp-p X 4CH, BNC Digital I/O : 8 Ports (4 Port Input–TTL / 4 Port Output–TTL) Serial I/O : RS-485 (PTZ) Network Protocols :TCP/IP, UDP/IP, DHCP, FTP, SMTP, HTTP, ARP Network Security - User ID and Password Protection & User Level Protection - IP Filtering
System Requirements	CPU : Pentium III 800Mhz or faster RAM : 512MB or higher VGA : AGP Video RAM 64MB or higher Direct-X : 8.0 or higher WEB Browser : Internet Explorer 6.0 or higher OS : Windows 2000 or higher
Power	Input : DC 12 V / 700 mA
Dimension	Dimension : 120 mm X 35 mm X 115 mm (W X H X D)
Weight	Weight: 370g
Operating Environment	Operating Temperature: 0~50°C(32~122°F) Humidity : 20~80% RHG , Non- Condensing
Approval	EMC : FCC Class B CE Class B
Package Contents	Video Server User Manual Connector for RS485 PTZ Control Program Installation CD LAN Cable (Crossover)

Configuration



Software



Multi Viewer@PC
: View & Record 16 Cameras

* All trademarks are property of owners and Specifications are subject to change without a prior notice



Seorim Technology Co., Ltd
#1001, daerung technotown vi, 493-6, gasan-dong, kumchun, seoul, korea, 153-803
Tel: +82-2-2108-5860
Fax: +82-2-2108-5869
E-mail: sales@seorimtech.com

www.seorimtech.com