

# SVP-1000

## VisualGate Decoder

# Embedded MPEG-4 Decoder

SVP-1000, the NETWORK VIDEO DECODER is equipped with an embedded system for displaying MPEG-4 video streams arriving from the Internet. Without requiring a PC, SVP-1000 can log in to the remote Video Server / camera located anywhere in the world. In some applications the footprint and expense of a PC is impractical to decode the network video streams. In these cases, the embedded SVP-1000 is a much more efficient and cost effective solution. Video output of SVP-1000 is connected to a TV or a monitor directly.

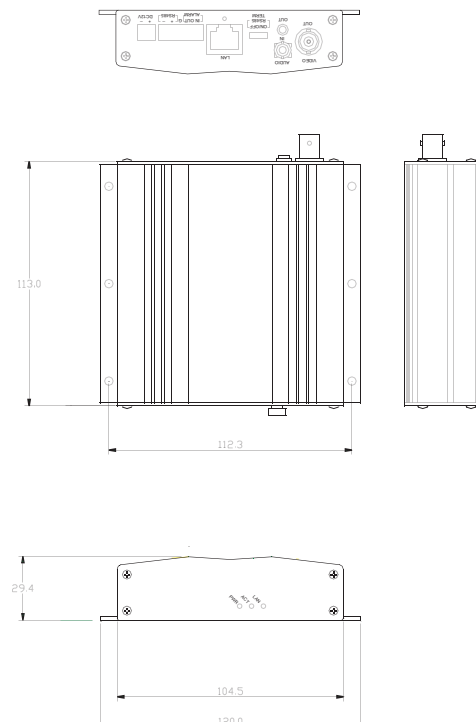


Model:SVP-1000

## Features

- Compact Size
- Embedded Linux
- Receive Live& Real time Video streams
- MPEG-4 Decompression
- Low Latency
- Built-in Watch-Dog Timer
- Built-in WEB Server
- Support Full Duplex Audio
- No need Personal Computer
- Support Composite Video
- Support all VisualGate Products

## Dimension



# SVP-1000 VisualGate Decoder

## Specification

Video	Decompression Standard : MPEG-4 Bit Rate: Max. 2Mbps Resolution : 704 x 576/480, 704 x 288/240, 352 x 288/240, 160 x 288/240, 160 x 128/96 Frame Rate : Max. 25/30 fps Output: Analog Composite, 1Vp-p, 75 Ohms, PAL or NTSC
Audio	Decompression Standard : G.711, G.726 Bit Rate: 64Kbps, 32Kbps Sampling Frequency : 8 KHz Input : Microphone Input- 65 dB@600 Ohms Output : Line Output - 10 dB@600 Ohms
Network	Protocols : TCP, IP, UDP, HTTP Configuration : WEB Browser Ethernet : 10/100Base-T, Auto Sensing
Connector	Video Output 1 x BNC Connector for Composite Audio Input 1 x 3.5mm Phone Jack Audio Output 1 x 3.5mm Phone Jack COM : 2 x Terminal Block for RS - 485 and RS - 232 Ethernet : RJ - 45 Connector
Power	Input Voltage : DC 12V Power Consumption : TBD
Environment	Operating Temperature 0 - 50 °C (32 - 122 °F) Humidity : 20 - 80% non-condensing
Dimension Weight	Dimension: 112(W)mmX30(H)mmX113(D)mm Weight: 330g

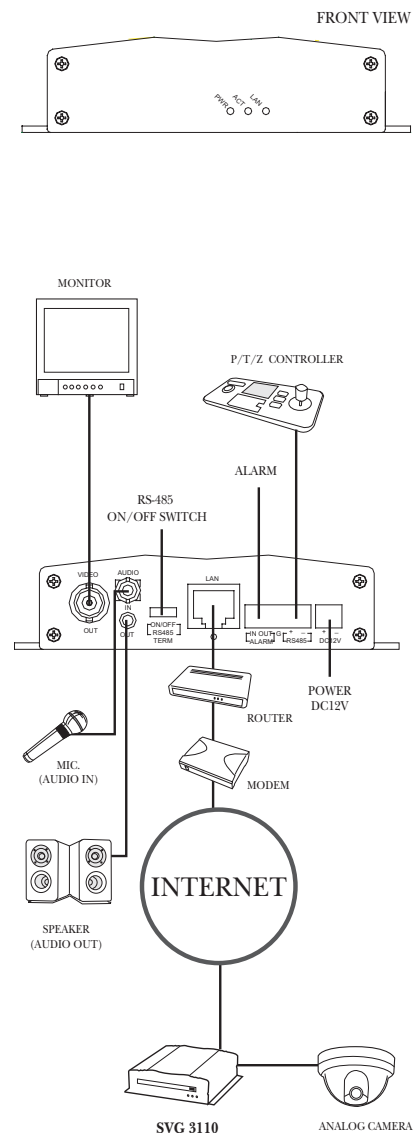
\* All trademarks are property of owners and Specifications are subject to change without a prior notice

## Software



Multi Viewer@PC  
: View& Record 16 Cameras

## Configuration



**seorim** digital  
technology

Seorim Technology Co., Ltd  
#1001, daerung technotown vi, 493-6, gasan-dong, kumchun, seoul, korea, 153-803  
Tel: +82-2-2108-5860  
Fax: +82-2-2108-5869  
E-mail: sales@seorimtech.com

[www.seorimtech.com](http://www.seorimtech.com)