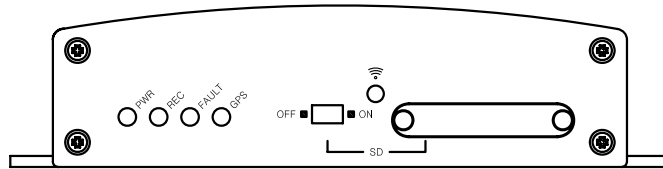
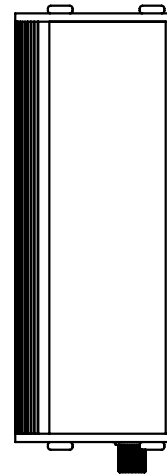
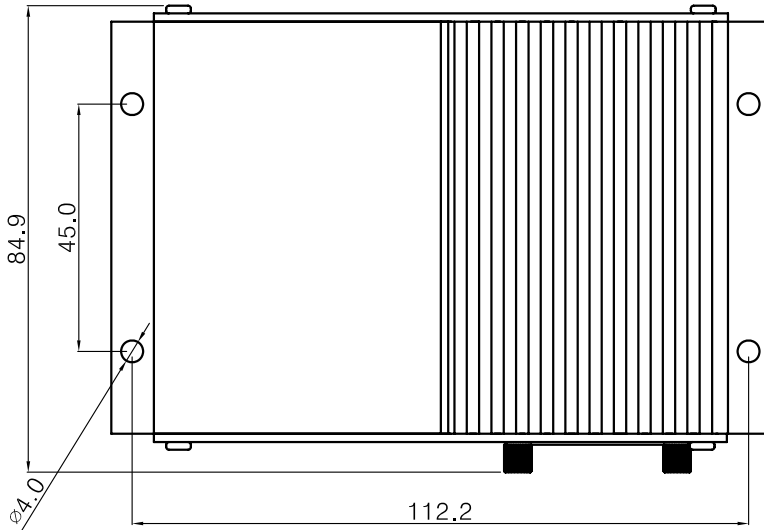
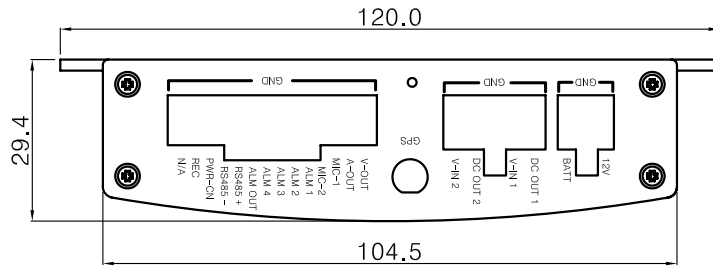


부속

수정내용					
부호	위치	내용	수정자	승인자	년월일



NO	Item	QTY	Part No	DWG No
I T E M				
DATE	2011.03.16	Seorim Technology Co.,Ltd.		
Approval by		Title F1-110G		
Examined by	Approval by			
Drawn by	Examined by			
Designed by	Examined by			
Drawing Dept		Sheet Size	DWG No	
Scale	Unit mm	Weight	A3 () of ()	